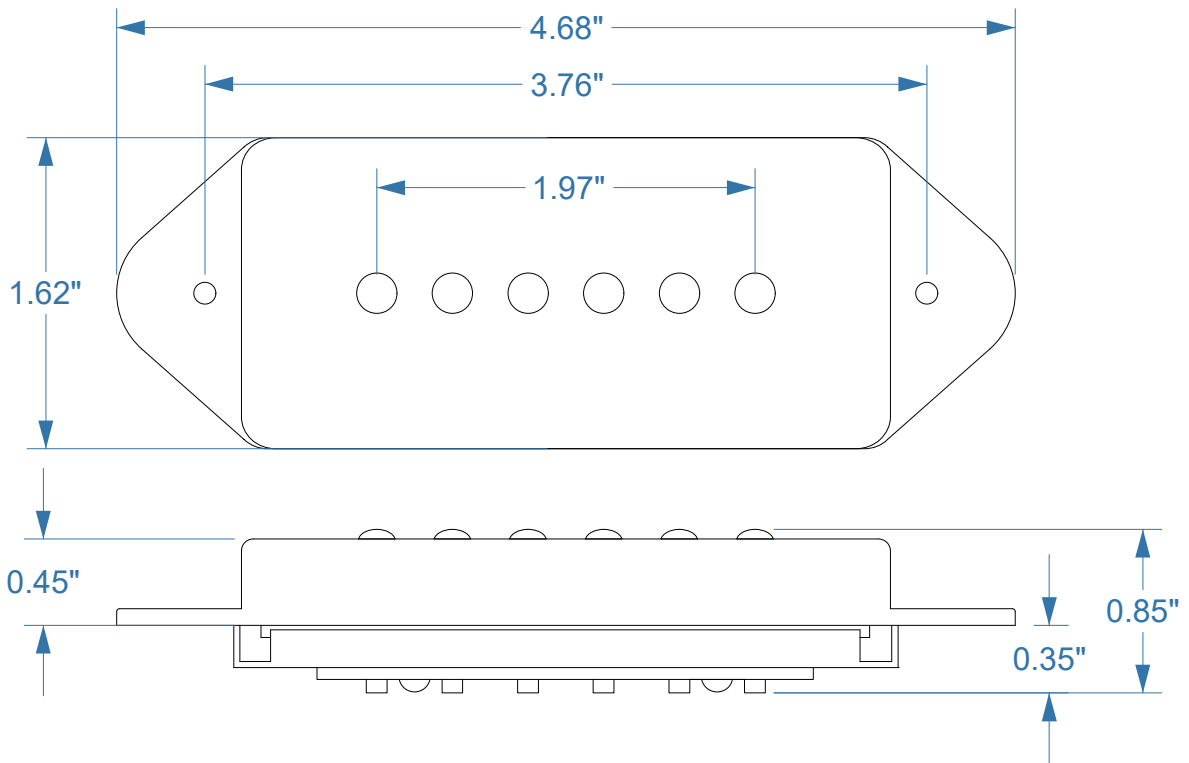


# Tall Dogear



# Medium-Wide Dogear

